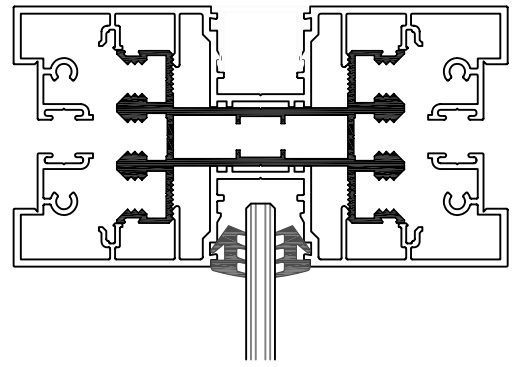
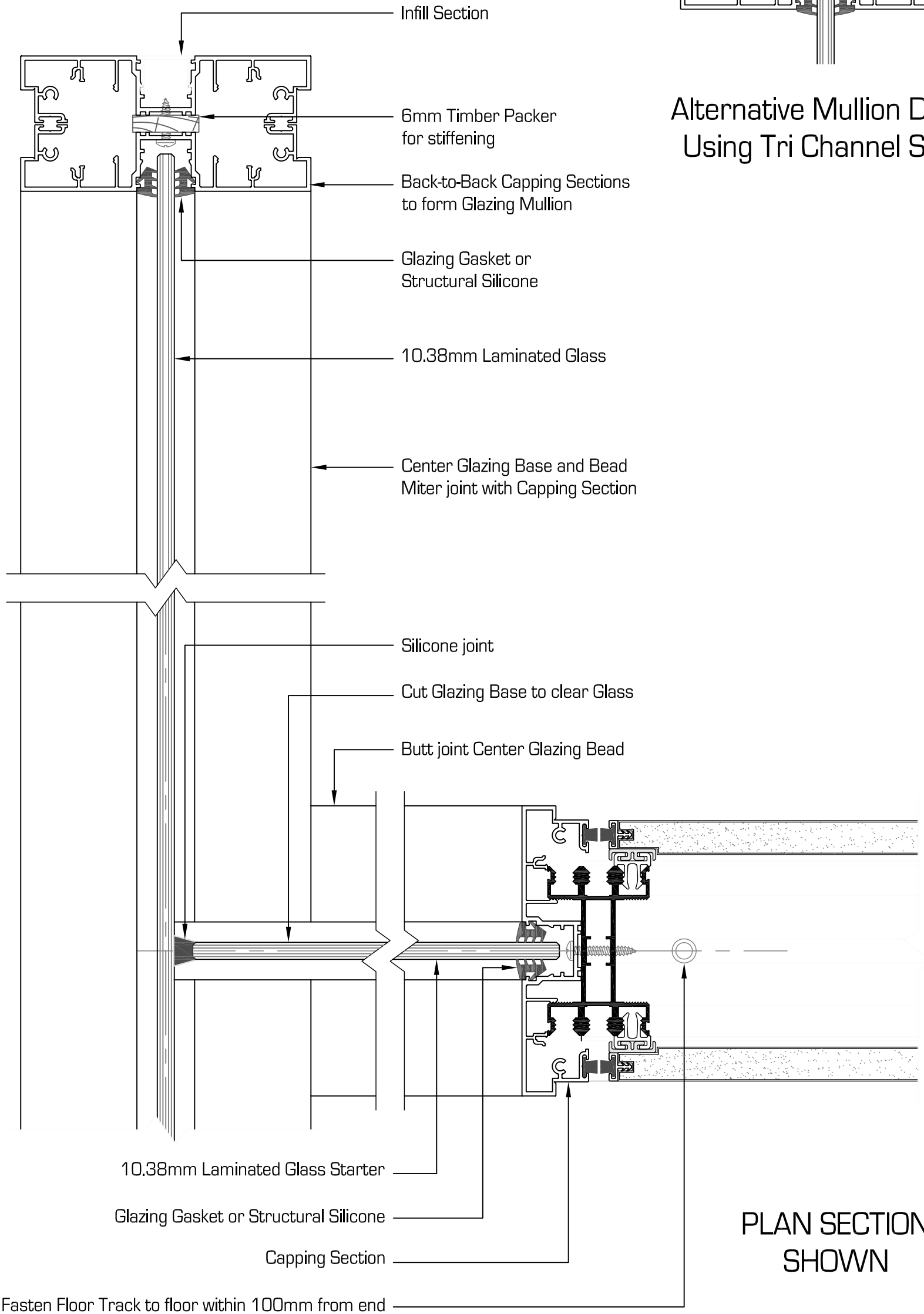


DO NOT MEASURE OFF DRAWING  
DRAWING NOT TO SCALE



Alternative Mullion Detail  
Using Tri Channel Stud



DO NOT MEASURE OFF DRAWING

DRAWING NOT TO SCALE



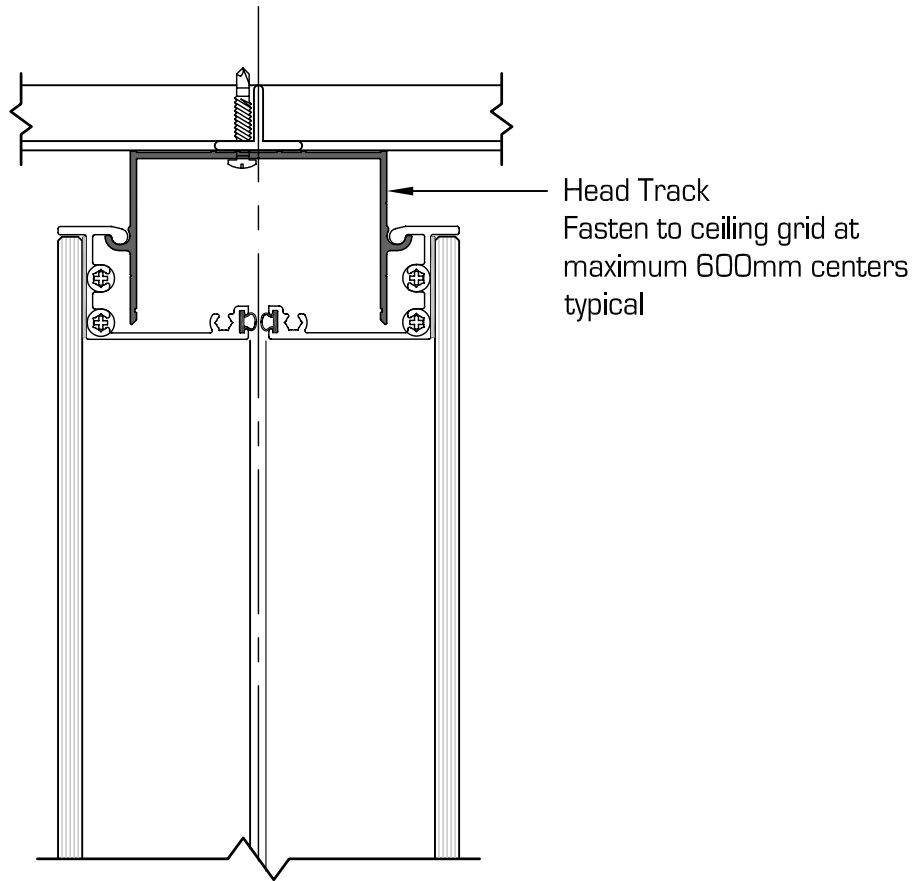
**CENTER-LINE GLAZING MULLION AND JUNCTION DETAILS**

DESIGN DETAILS

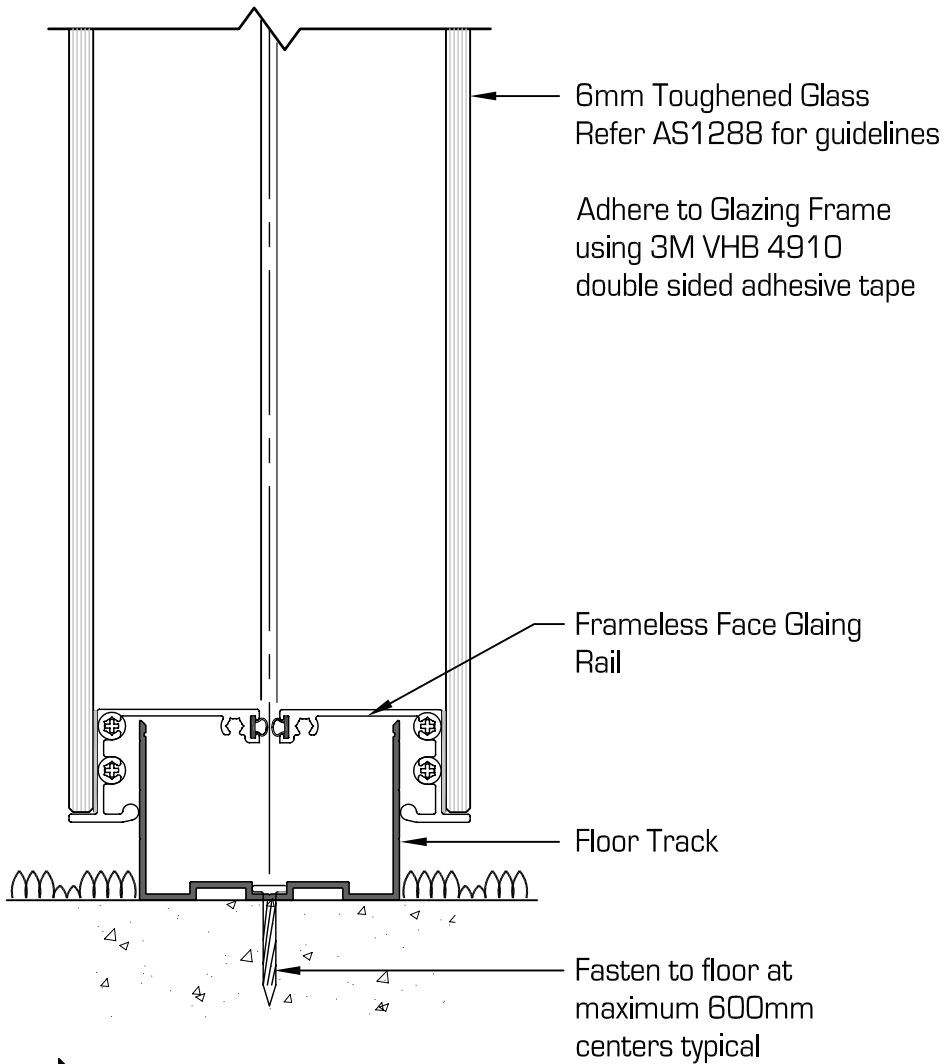
ISSUE DATE  
DEC 2007

RELEASE  
4.0

**DD-15**



Head Track  
Fasten to ceiling grid at  
maximum 600mm centers  
typical



6mm Toughened Glass  
Refer AS1288 for guidelines

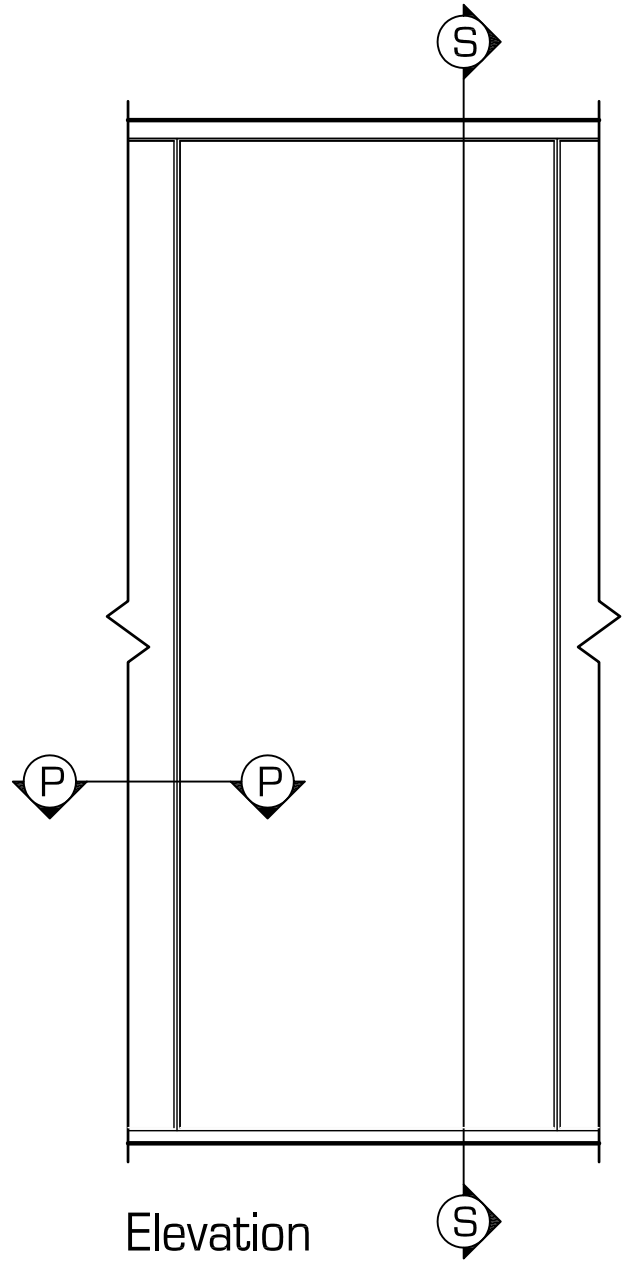
Adhere to Glazing Frame  
using 3M VHB 4910  
double sided adhesive tape

Frameless Face Glazing  
Rail

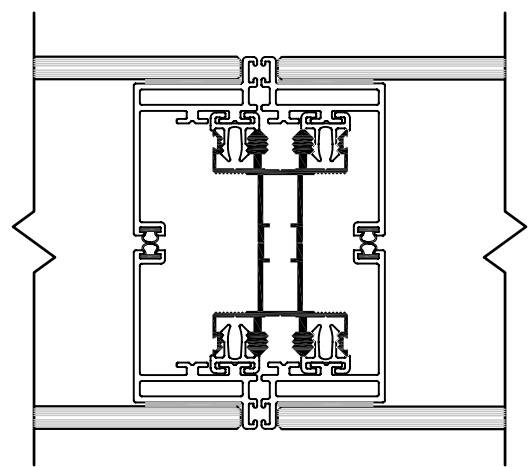
Floor Track

Fasten to floor at  
maximum 600mm  
centers typical

Ⓢ Section



Elevation



Ⓟ Plan (Butt Joint shown)

DO NOT MEASURE OFF DRAWING

DRAWING NOT TO SCALE



futurewall

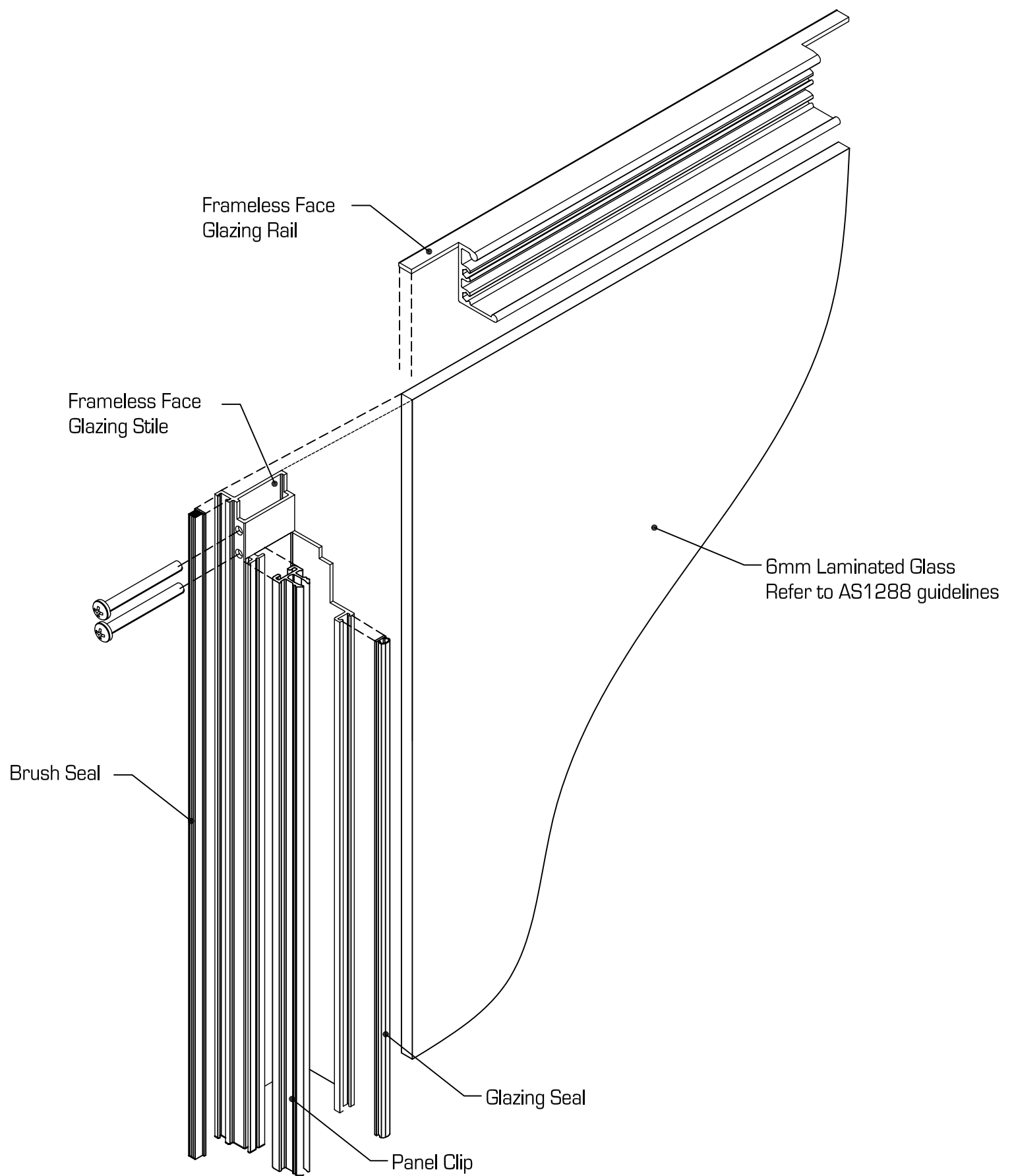
**FRAMELESS GLAZING MODULE DETAILS**

DESIGN DETAILS

ISSUE DATE  
DEC 2007

RELEASE  
4.0

**DD-16**



Frameless Glazing Assembly Detail

DO NOT MEASURE OFF DRAWING

DRAWING NOT TO SCALE



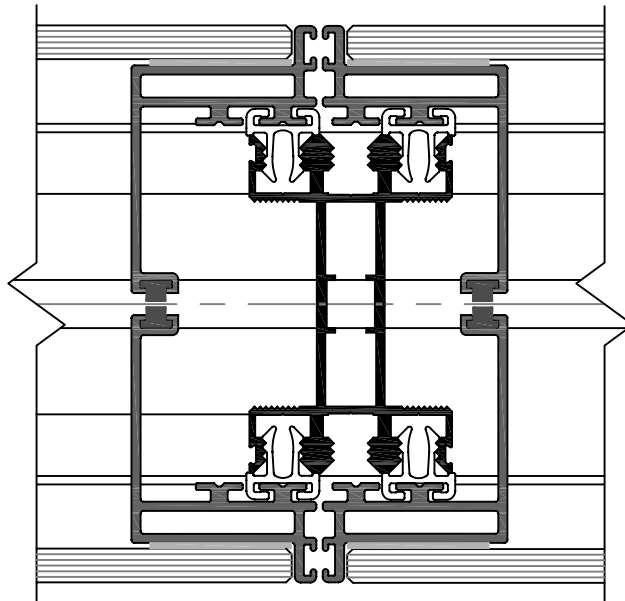
**FRAMELESS GLAZING MODULE ASSEMBLY**

DESIGN DETAILS

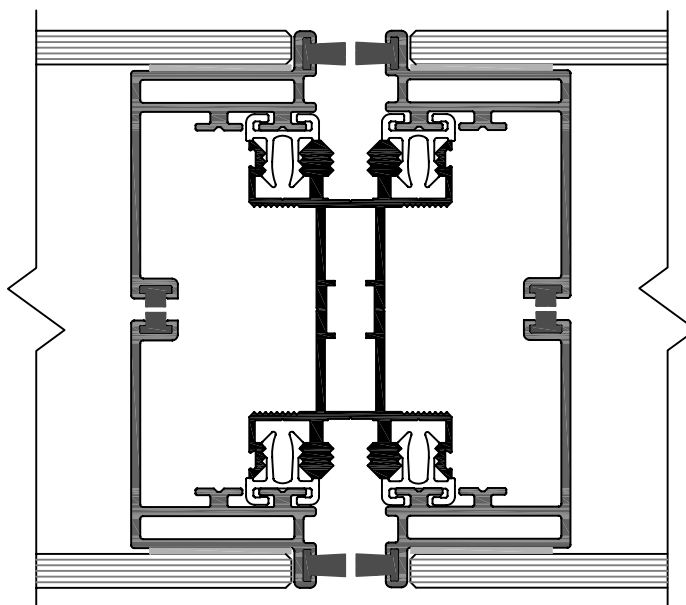
ISSUE DATE  
DEC 2007

RELEASE  
4.0

**DD-17**



Glass to Glass (Butt Joint)



Glass to Glass (Soft Joint)

PLAN SECTIONS  
SHOWN

DO NOT MEASURE OFF DRAWING

DRAWING NOT TO SCALE



futurewall

**FRAMELESS GLAZING JOINT EXAMPLES**

DESIGN DETAILS

ISSUE DATE  
DEC 2007

RELEASE  
4.0

**DD-18**