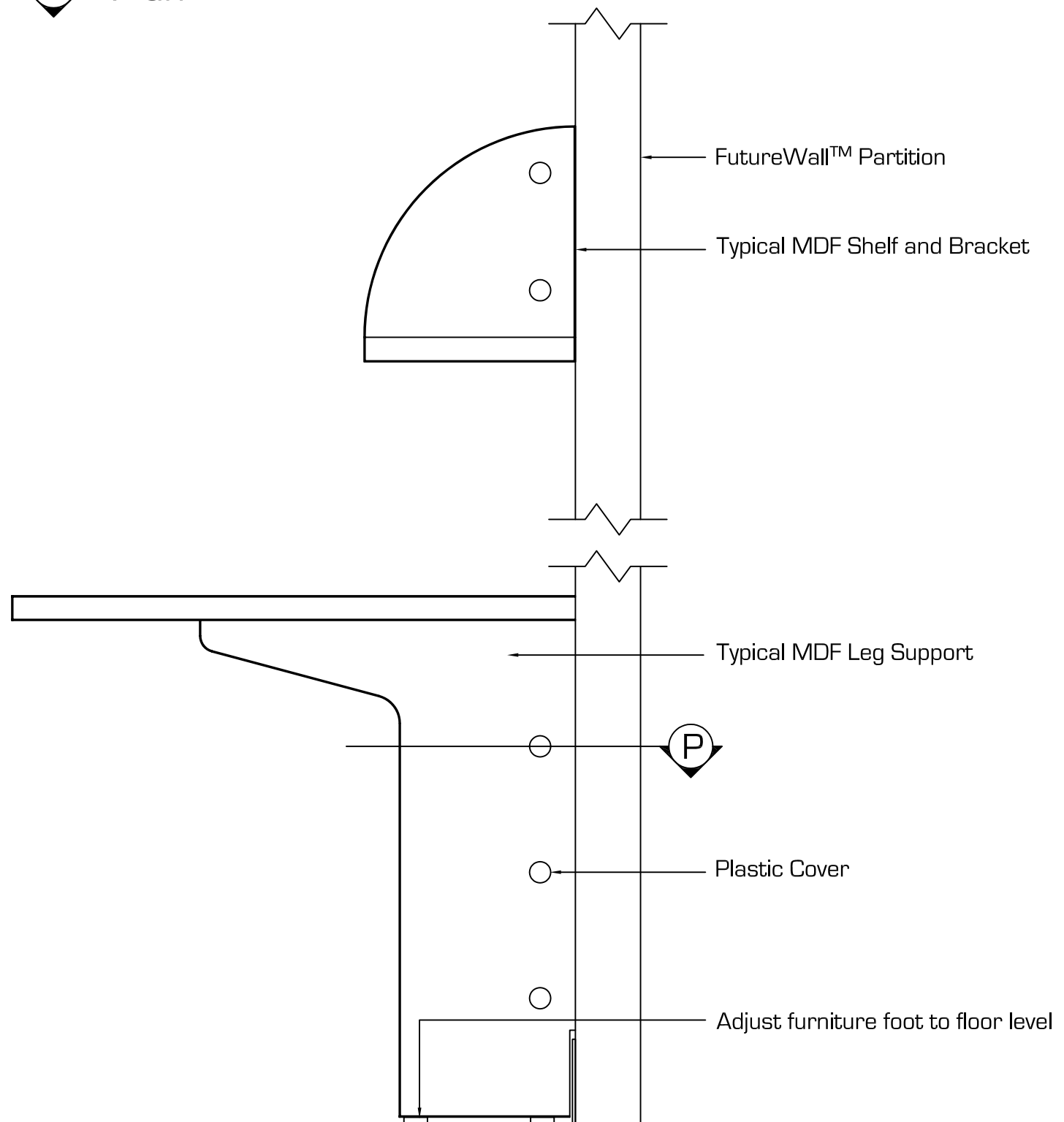


**P** Plan



Side Elevation

DO NOT MEASURE OFF DRAWING

DRAWING NOT TO SCALE



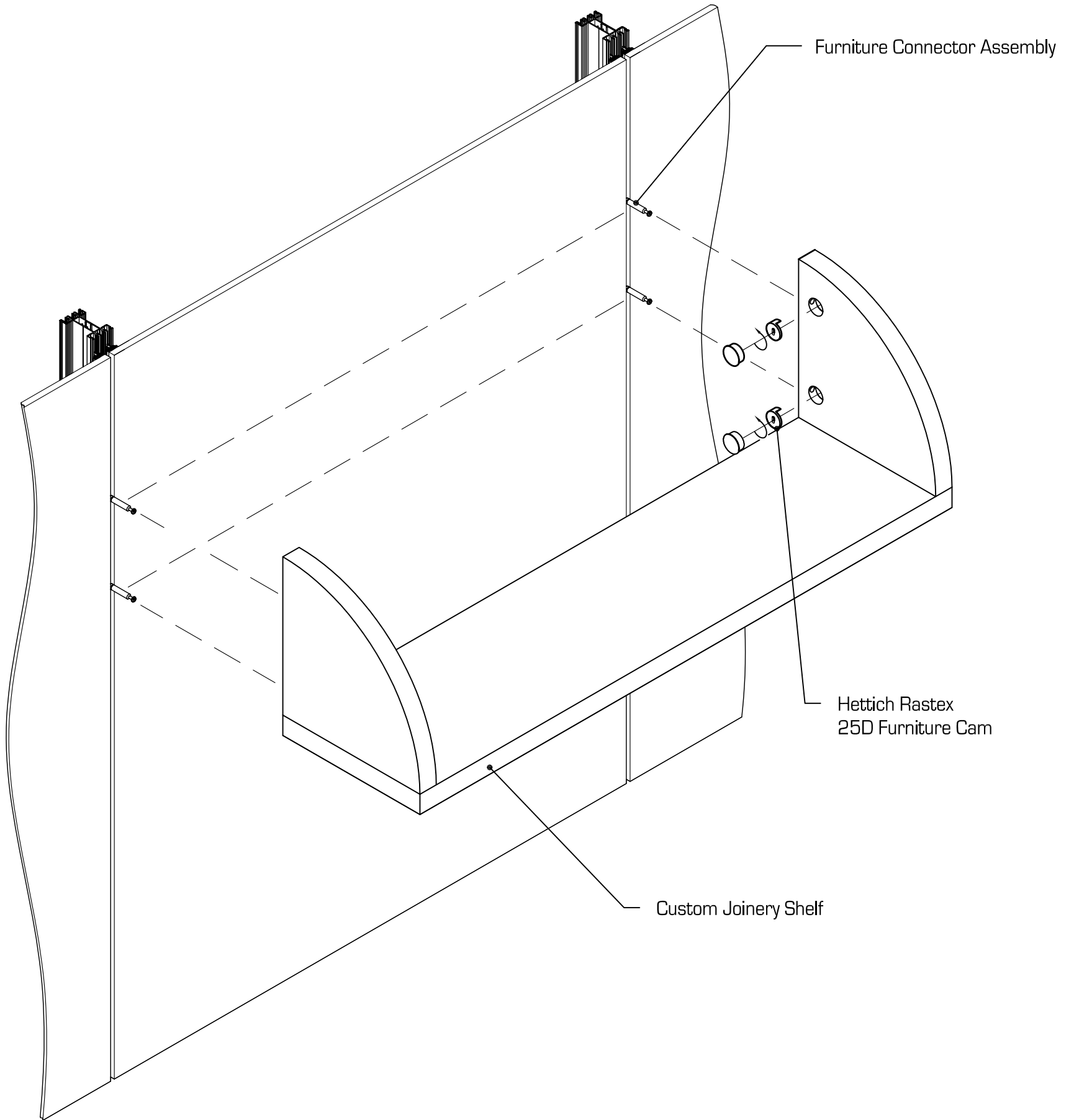
**TYPICAL FURNITURE ATTACHMENT DETAILS**

DESIGN DETAILS

ISSUE DATE  
DEC 2007

RELEASE  
4.0

**DD-29**



Furniture Attachment

DO NOT MEASURE OFF DRAWING

DRAWING NOT TO SCALE



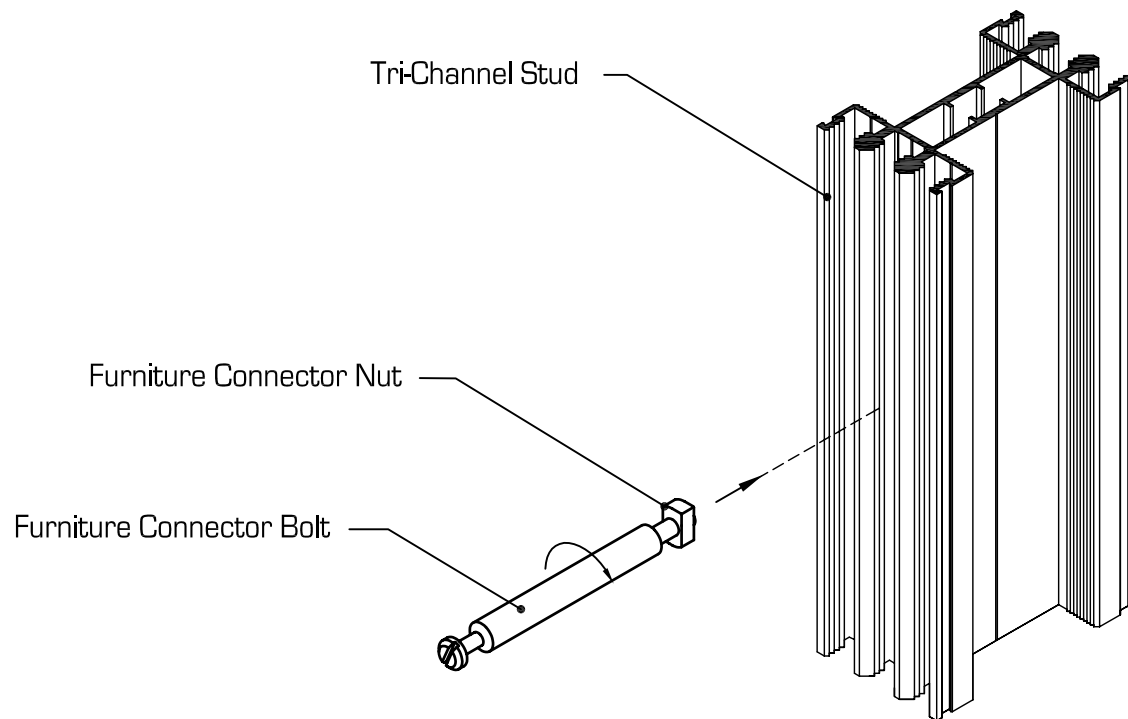
**FURNITURE ATTACHMENT ASSEMBLY**

DESIGN DETAILS

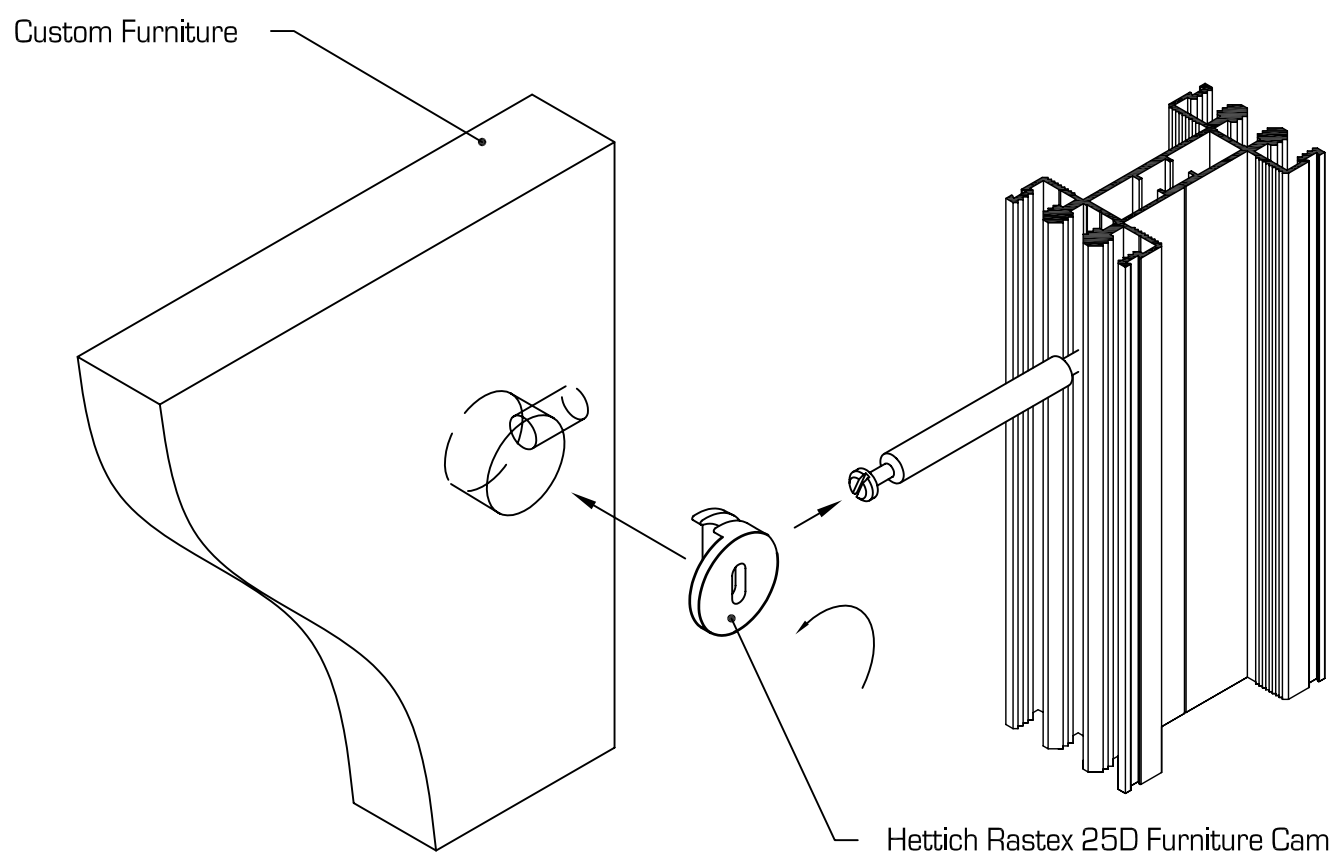
ISSUE DATE  
DEC 2007

RELEASE  
4.0

**DD-30**



Step One



Step Two

Furniture Installation  
(Wall Panels Not Shown)

DO NOT MEASURE OFF DRAWING  
DRAWING NOT TO SCALE



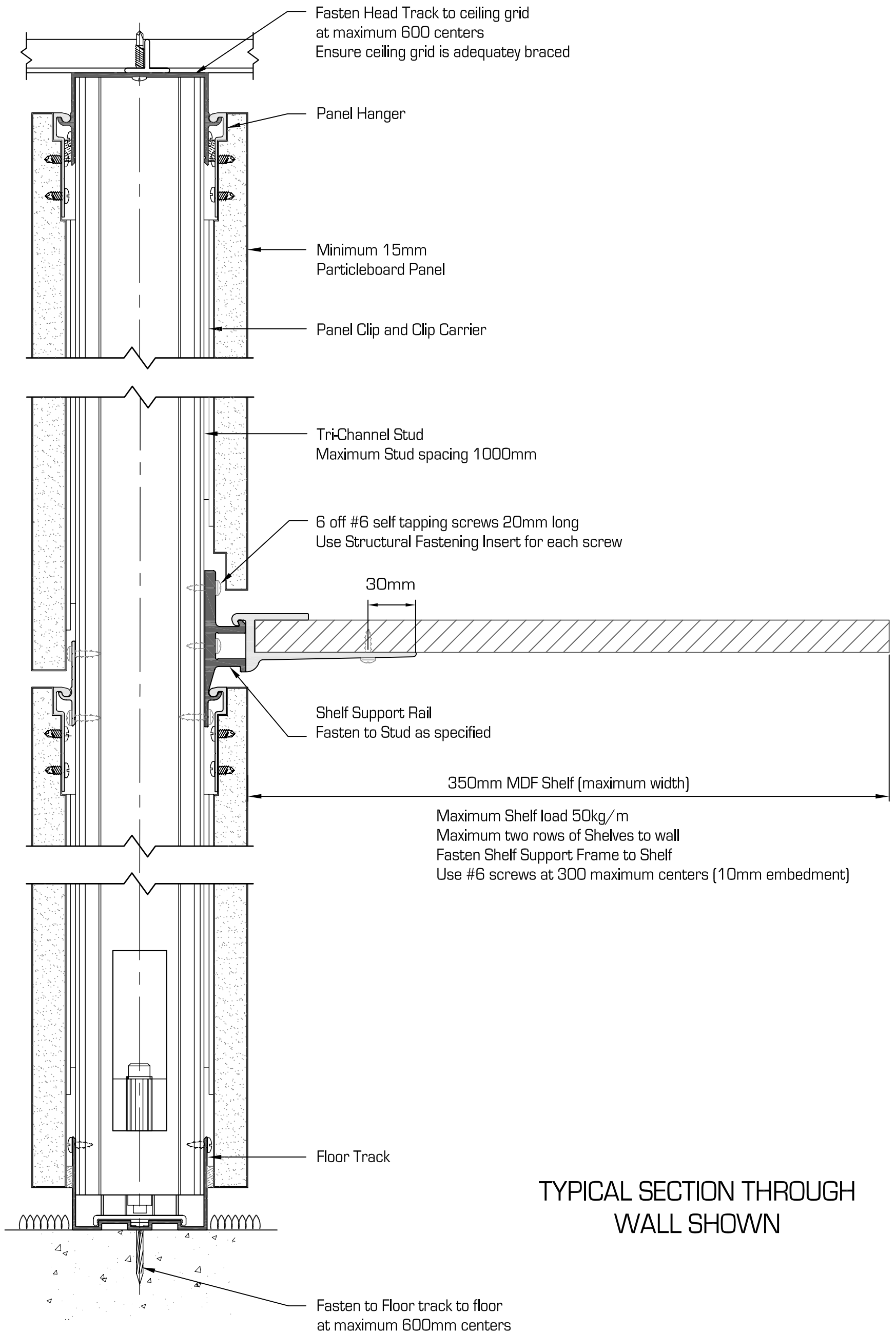
**FURNITURE CONNECTOR GUIDE**

DESIGN DETAILS

ISSUE DATE  
DEC 2007

RELEASE  
4.0

**DD-31**



TYPICAL SECTION THROUGH  
WALL SHOWN

DO NOT MEASURE OFF DRAWING

DRAWING NOT TO SCALE



**CANTILEVER SHELF DETAILS**

DESIGN DETAILS

ISSUE DATE  
DEC 2007

RELEASE  
4.0

**DD-32**